

RANGE COMPOSITION

N 900: a range designed to guarantee the highest level of performance, reliability, energy saving, safety standards and ergonomic operation. These concepts are reflected throughout the line in its modularity, construction and numerous configurations: countertop (on base or table), free-standing, on concrete or stainless steel plinth, bridged or cantilever. Thanks to its advanced technology and premium performance, N 900 is a perfect solution for restaurants as well as large institutions needing high power and high productivity. The models detailed in this sheet are 15 litres fryers in electric version.



392088

EV0900

ELECTRIC FRYERS - 15 LT ZANUSSI PROFESSIONAL

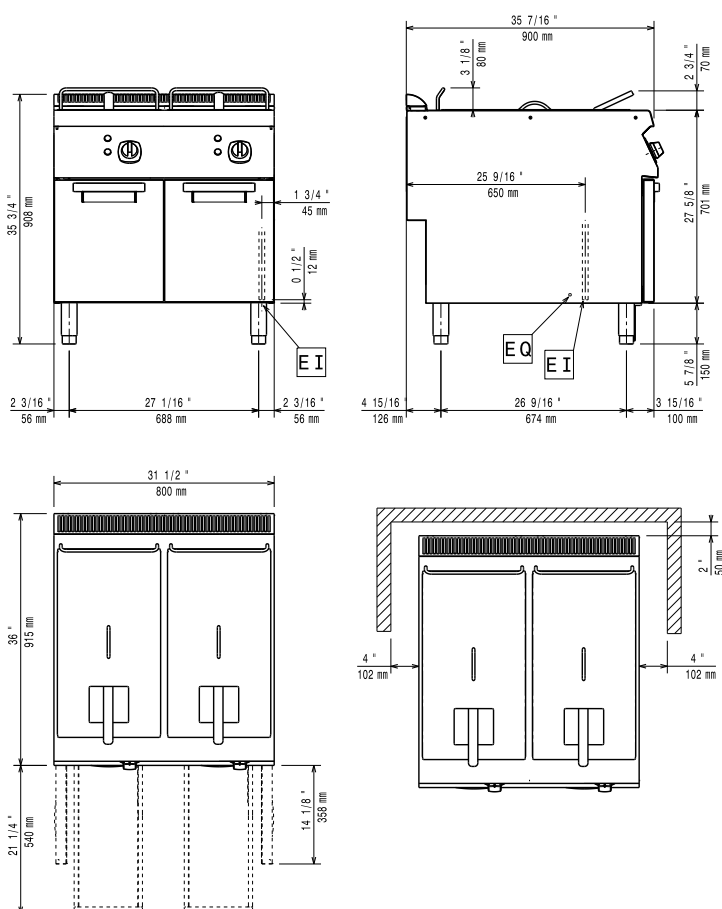
FUNCTIONAL AND CONSTRUCTION FEATURES

- ◆ The electric fryer with V-Shaped well is ideal for kitchens needing a versatile, efficient and easy to clean unit capable of cooking numerous portions time after time. The V-Shaped well is equipped with high efficiency external infrared heating elements guaranteeing a longer oil life (compared to fryers with heating elements inside the well) as well as a uniform distribution of heat
- ◆ Deep drawn V-Shaped well with rounded corners and external heating elements for safe and easy cleaning.
- ◆ The V-Shaped well is made from two pieces of pressed stainless steel that are seamlessly welded together for maximum hygiene, safety and reliability.
- ◆ Working temperature from 105°C to 185°C.
- ◆ All models have right-angled side edges to allow flush-fitting joints between units, eliminating gaps and possible dirt traps.
- ◆ Additional overheat safety thermostat.
- ◆ Worktop in 20/10 stainless steel. Front and side panels in stainless steel with Scotch Brite finish.
- ◆ Oil drainage via a tap into a drainage container positioned under the well thus simplifying the consumed oil management

- and guaranteeing the operator safety.
- ◆ Feet in stainless steel 50 mm adjustables in height.
- ◆ All models can be installed on cantilever system.
- ◆ The special design of the control knobs and bezels guarantees against water infiltration
- ◆ Main connections can be via the base of

- the unit.
- ◆ All models provided with service duct to facilitate installation.

TECHNICAL DATA		
CHARACTERISTICS	MODELS	
	Z9FRED1GF0 392087	Z9FRED2GF0 392088
Power supply	Electric	Electric
External dimensions - mm		
width	400	800
depth	900	900
height	850	850
height adjustment	50	50
N° of wells	1	2
Usable well dimensions - mm		
width	240	240
depth	380	380
height	505	505
Thermostatic	●	●
Temperature limiter	●	●
Maximum Well Capacity -lt	13, 15	13, 15
Power - kW		
installed-electric	10	20
Net weight - kg.	50	86
Supply voltage	400 V, 3N, 50/60	400 V, 3N, 50/60
INCLUDED ACCESSORIES		
BASKET FOR 14/15 LT FRYERS	1	2
DOOR FOR OPEN BASE CUPBOARD-ZANUSSI	1	2



LEGEND

	Z9FRED1GF0 392087	Z9FREH2GF0 392088
EI - Electrical connection	400 V, 3N, 50/60	400 V, 3N, 50/60

OPTIONAL ACCESSORIES

ACCESSORIES

ACCESSORIES	MODELS	
	Z9FRED1GF0 392087	Z9FREH2GF0 392088
2 1/2 BASKETS FOR 14/15 LT FRYERS	921692	921692
2 PANELS FOR SERVICE DUCT (BACK TO BACK)	206202	206202
2 PANELS FOR SERVICE DUCT (SINGLE INST.)	206181	206181
2 SIDE COVERING PANELS H=700-D=900-Z/OEM	206335	206335
2 SIDE KICKING STRIPS - 900 LINE	206180	206180
2 SIDE KICKING STRIPS-CONCRETE INST-900	206157	206157
4 FEET FOR CONCRETE INSTALLATION	206210	206210
4 WHEELS (2 WITH BRAKE)		206188
BASKET FOR 14/15 LT FRYERS	921691	921691
CHIMNEY UPSTAND 400MM	206303	
CHIMNEY UPSTAND 800MM		206304
DEFLECTOR FOR FLOURED PRODUCTS-15L FRYER	921696	921696
DOOR FOR OPEN BASE CUPBOARD-ZANUSSI	206342	206342
FILTER FOR FRYER OIL COLLECTION BASIN	921693	921693
FLANGED FEET KIT	206136	206136
FRONT.KICK.STRIP F.CONCRETE INST.1000 MM	206150	206150
FRONT.KICK.STRIP F.CONCRETE INST.1200 MM	206151	206151
FRONT.KICK.STRIP F.CONCRETE INST.1600 MM	206152	206152
FRONT.KICK.STRIP F.CONCRETE INST.400 MM	206147	
FRONT.KICK.STRIP F.CONCRETE INST.800 MM	206148	206148
FRONTAL HANDRAIL 1200 MM	206191	206191
FRONTAL HANDRAIL 1600 MM	206192	206192
FRONTAL HANDRAIL 400 MM	206166	
FRONTAL HANDRAIL 800 MM	206167	206167
FRONTAL KICKING STRIP 1000 MM	206177	206177
FRONTAL KICKING STRIP 1200 MM	206178	206178
FRONTAL KICKING STRIP 1600 MM	206179	206179
FRONTAL KICKING STRIP 400 MM	206175	
FRONTAL KICKING STRIP 800 MM	206176	206176
JUNCTION SEALING KIT	206086	206086
LARGE HANDRAIL(PORZIONING SHELF)400 MM	206185	206185
LARGE HANDRAIL(PORZIONING SHELF)800 MM	206186	206186
SEDIMENT TRAY FOR 15 LT FRYER	206235	206235
SIDE HANDRAIL-RIGHT/LEFT HAND-900 LINE	206165	206165
UNCLOGGING ROD F.15LT FRYER DRAIN.PIPE	921695	921695
WATER COLUMN WITH SWIVEL ARM	206289	206289



www.zanussiprofessional.com