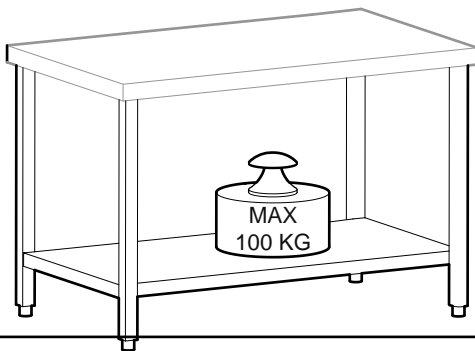
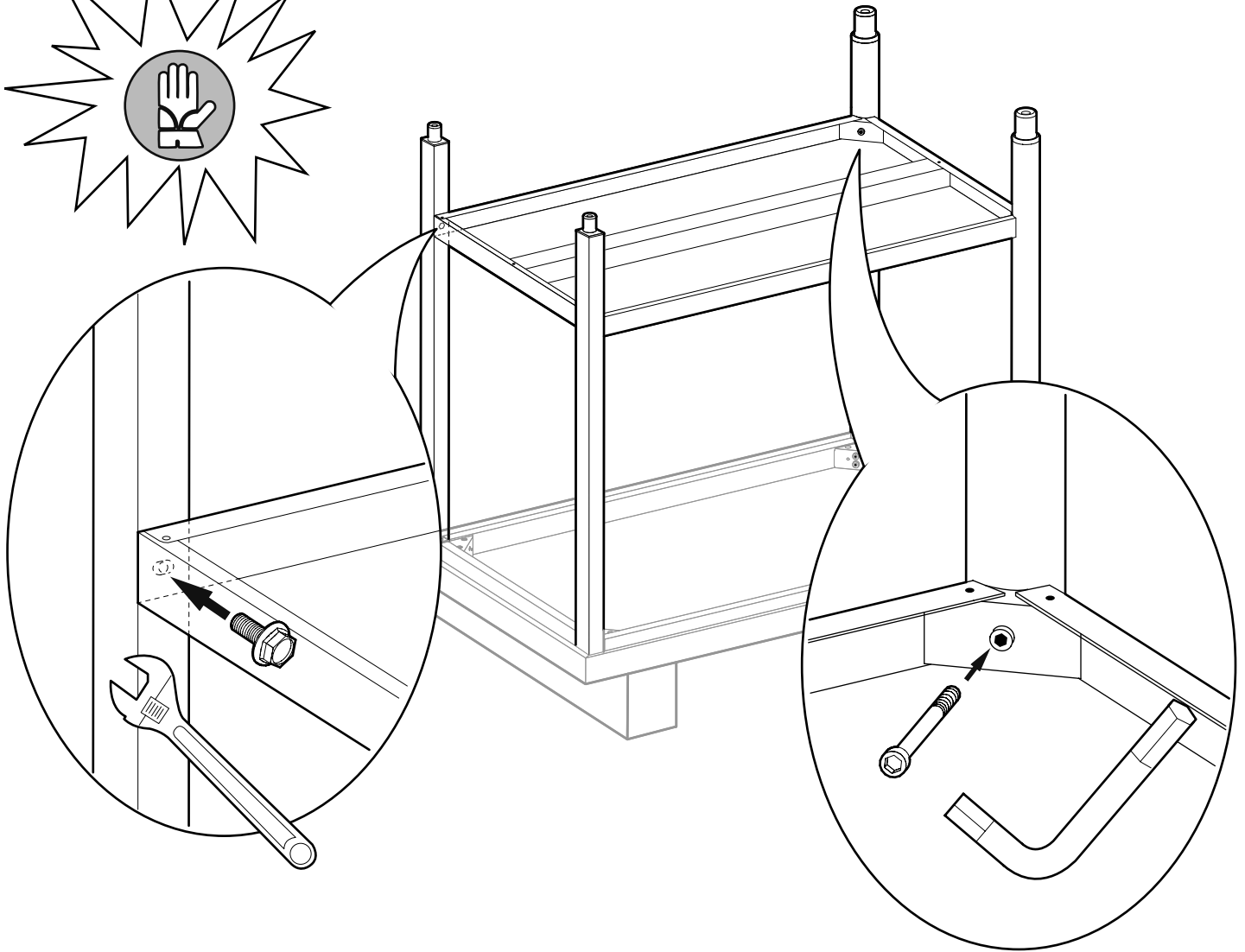
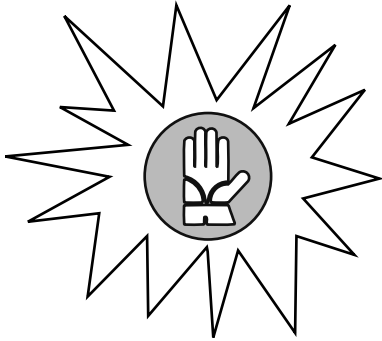


---

**ISTRUZIONI DI INSTALLAZIONE**  
**INSTALLATION INSTRUCTIONS**  
**INSTRUCTIONS DE MONTAGE**  
**INSTALLATIONSANLEITUNG**  
**INSTRUCCIONES DE INSTALACIÓN**

---



---

DOC. NO. **5953.298.00**  
EDITION: 1 05/2011